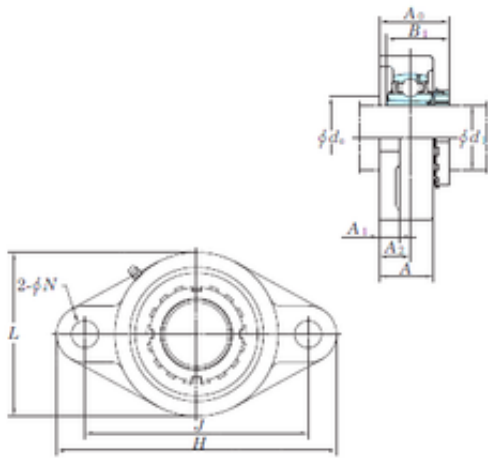




KOYO UKFL206 bearing units



Bearing No. UKFL206

Bore Diameter	25,4 mm
d	25,4 mm
A0	37,5 mm
d3	36 mm
A	31 mm
A1	13 mm
B1	31 mm
H	148 mm
J	117 mm
L	80 mm
N	16 mm
Bolt (G)	M14
A2	18 mm
Weight	0,97 Kg
Basic dynamic load rating (C)	19,5 kN
Basic static load rating (C0)	11,3 kN

UKFL206 Bearing 2D drawings and 3D CAD models