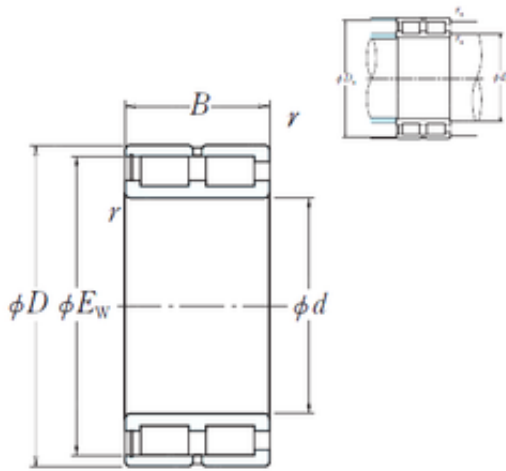




NSK NNCF4880V cylindrical roller bearings

Bearing No. NNCF4880V



NNCF4880V Bearing 2D drawings and 3D CAD models

| | |
|-------------------------------|------------------|
| Size | 400x471.7x100 mm |
| Bore Diameter | 400 mm |
| Outer Diameter | 471,7 mm |
| Width | 100 mm |
| d | 400 mm |
| D | 500 mm |
| Ew | 471,7 mm |
| B | 100 mm |
| C | 100 mm |
| r min. | 2,1 mm |
| Da | 479 mm |
| ra max. | 2 mm |
| da | 420 mm |
| Weight | 47,5 Kg |
| Basic dynamic load rating (C) | 1290 kN |