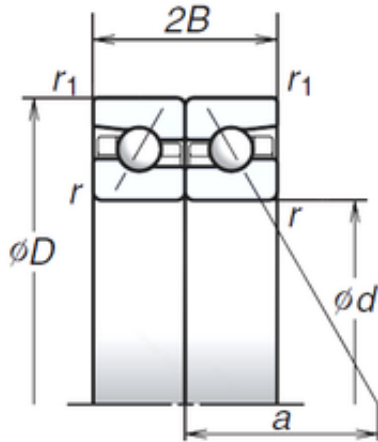




TLEE Bearing Machine Development Co.,...

NSK 65BTR10H angular contact ball bearings



Bearing No. 65BTR10H

Size	65x100x16.5 mm
Bore Diameter	65 mm
Outer Diameter	100 mm
Width	16,5 mm
d	65 mm
D	100 mm
B	16,5 mm
C	16,5 mm
Angle (°)	40 °
a	42,5 mm
r min.	1,1 mm
r1 min.	0,6 mm
2B	33 mm
Weight	0,406 Kg
Basic dynamic load rating (C)	23,1 kN
Basic static load rating (C0)	47 kN
(Grease) Lubrication Speed	9 100 r/min
(Oil) Lubrication Speed	11 600 r/min

65BTR10H Bearing 2D drawings and 3D CAD models