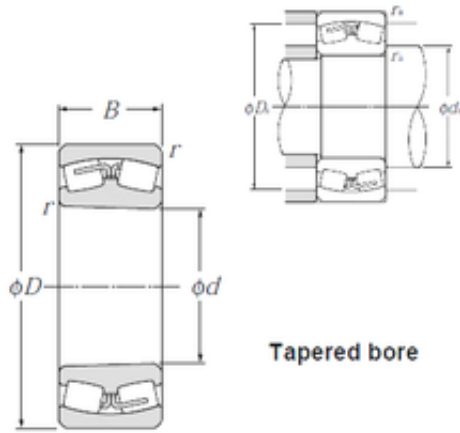




**NTN 24128BK30 spherical roller bearings**



24128BK30 Bearing 2D drawings and 3D CAD models

Bearing No. 24128BK30

Size	140x225x85 mm
Bore Diameter	140 mm
Outer Diameter	225 mm
Width	85 mm
d	140 mm
D	225 mm
B	85 mm
C	85 mm
r min.	2,1 mm
da min.	152 mm
Da max.	213 mm
ra max.	2 mm
Weight	13,1 Kg
Basic dynamic load rating (C)	670 kN
Basic static load rating (C0)	1 150 kN
(Grease) Lubrication Speed	1 400 r/min
(Oil) Lubrication Speed	1 800 r/min
Calculation factor (e)	0,38
Calculation factor (Y0)	1,76
Calculation factor (Y1)	1,8