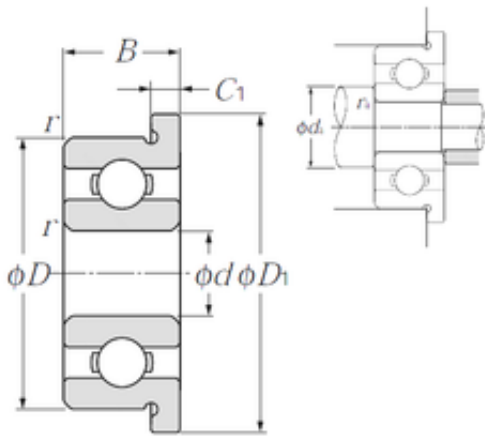




NTN FL674A deep groove ball bearings



Bearing No. FL674A

Size	4x8.2x2 mm
Bore Diameter	4 mm
Outer Diameter	8,2 mm
Width	2 mm
d	4 mm
D	7 mm
D1	8,2 mm
B	2 mm
r min.	0,08 mm
C1	0,6 mm
da min.	4,6 mm
da max	5 mm
Da max.	6,4 mm
ra max.	0,08 mm
Weight	0,35 Kg
Basic dynamic load rating (C)	0,222 kN
Basic static load rating (C0)	0,088 kN
(Grease) Lubrication Speed	54 000 r/min
(Oil) Lubrication Speed	63 000 r/min

FL674A Bearing 2D drawings and 3D CAD models