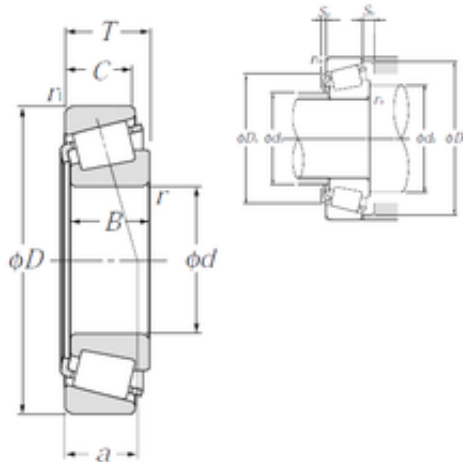




# TLEE Bearing Machine Development Co.,...



## NTN 31324XU tapered roller bearings

Bearing No. 31324XU

Size	120x260x68 mm
Bore Diameter	120 mm
Outer Diameter	260 mm
Width	68 mm
d	120 mm
D	260 mm
T	68 mm
B	62 mm
C	42 mm
ra1 max.	2,5 mm
a	82,5 mm
r min.	4 mm
r1 min.	3 mm
da min.	138 mm
Da min	203 mm
Da max.	246 mm
db max.	145 mm
Db min.	244 mm
ra max.	3 mm
Sa	9 mm
Sb	26 mm
Weight	15,4 Kg
Basic dynamic load rating (C)	515 kN
Basic static load rating (C0)	655 kN
(Grease) Lubrication Speed	1 500 r/min
(Oil) Lubrication Speed	2 000 r/min

31324XU Bearing 2D drawings and 3D CAD models



## TLEE Bearing Machine Development Co.,...

Calculation factor (e)	0,83
Calculation factor (Y0)	0,4
rs min	3 mm
r1s min	2.5 mm
e	0.83
Y2	0.73
Y0	0.4
Mass	15.4 kg
ISO 355 reference	T7GB120
Dynamic load, C	515 kN
Rating life coefficient, A2	1
Static load, C0	655 kN
Nlim (oil)	2,000 rpm
Nlim (grease)	1,500 rpm
Min operating temperature, Tmin	-40 ° C
Max operating temperature, Tmax	120 ° C
da max	138 mm
db min	145 mm
Da max	246 mm
Db min	244 mm
ra max	3 mm
r1a max	2.5 mm
Category	Bearings
Inventory	0.0
Manufacturer Name	NTN
Minimum Buy Quantity	N/A
Weight / Kilogram	0
EAN	0692314510292
Product Group	B04336