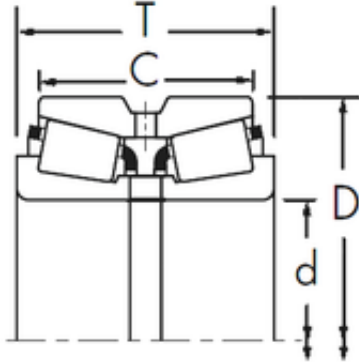




TLEE Bearing Machine Development Co.,...

Timken 593/592DC+X1S-593 tapered roller bearings



Bearing No. 593/592DC+X1S-593

Dimensione	88.9x152.4x82.55 mm
Marchio	Timken
Diametro del foro	88,9 mm
Diametro esterno	152,4 mm
Larghezza	82,55 mm
d	88,9 mm
D	152,4 mm
T	82,55 mm
C	63,5 mm
R	3,5 mm
r	0,8 mm

593/592DC+X1S-593 Bearing 2D drawings and 3D CAD models