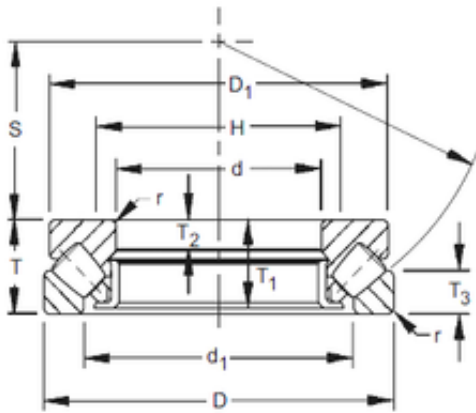




Timken 29340 thrust roller bearings



Bearing No. 29340

Size	200x340x85 mm
Bore Diameter	200 mm
Outer Diameter	340 mm
Width	85 mm
d	200 mm
D	340 mm
T	85 mm
B	29 mm
C	40 mm
r max	3 mm
T1	81 mm
d1	264 mm
D1	325 mm
H	265 mm
S	114 mm

29340 Bearing 2D drawings and 3D CAD models