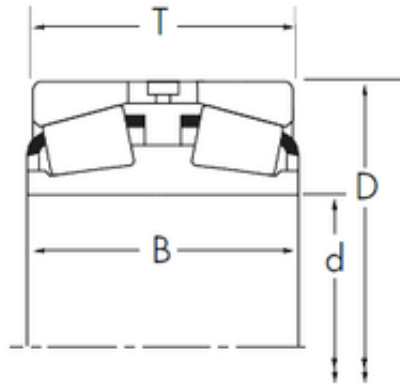




# TLEE Bearing Machine Development Co.,...

Timken EE171000D/171450+Y2S-171450  
tapered roller bearings



Bearing No. EE171000D/171450+Y2S-171450

|                |                    |
|----------------|--------------------|
| Size           | 254x368.3x92.71 mm |
| Bore Diameter  | 254 mm             |
| Outer Diameter | 368,3 mm           |
| Width          | 92,71 mm           |
| d              | 254 mm             |
| D              | 368,3 mm           |
| T              | 92,71 mm           |
| B              | 92,862 mm          |
| R              | 1,5 mm             |
| r              | 3,3 mm             |

EE171000D/171450+Y2S-171450 Bearing 2D drawings  
and 3D CAD models