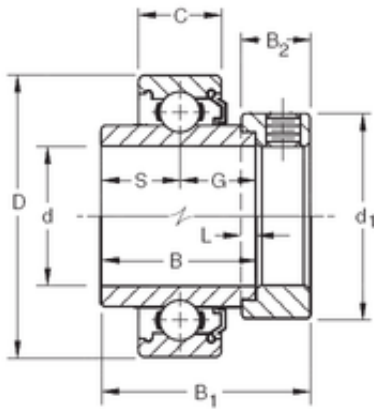




TLEE Bearing Machine Development Co.,...

Timken 1011KL deep groove ball bearings



1011KL Bearing 2D drawings and 3D CAD models

Bearing No. 1011KL

Size	17.4625x40x27.78 mm
Bore Diameter	17,4625 mm
Outer Diameter	40 mm
Width	27,78 mm
d	17,4625 mm
D	40 mm
B	27,78 mm
C	12 mm
d1	28,58 mm
B1	37,31 mm
B2	13,49 mm
G	13,89 mm
L	3,97 mm
S	13,89 mm
Weight	0,122 Kg
Basic dynamic load rating (C)	10,7 kN